



DIN 798 Square Nut

Leader Fastener is acknowledged as a manufacturer, exporter & suppliers of **DIN 798 Square Nut** For High Strength Struc. We can build additional features into fasteners, like collars, castellated, slotted portions or even prevailing torque locking mechanisms like nylon insert, deformed thread or split beam. In addition to standard preferred sizes, we also manufacture non preferred and non standard or special thread and nut forms and sizes. We have a complete line of service from having invested in production plants, export department and to having a quality control team and center to meet your requirements. We regard quality as the life of the company. We persist in good quality

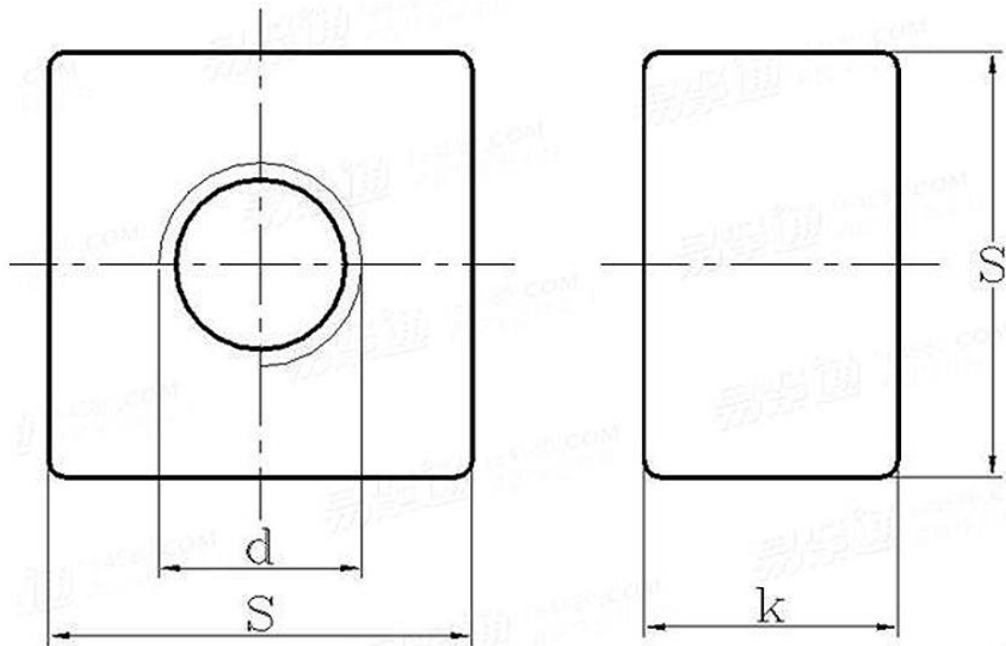
as the first policy and have established a set of quality control and inspection system according to the international standard. We have carried out ISO9001 Quality Guarantee System in every course of production, transportation and selling. We do hope we could be your partner in business by topping quality, knight service and competitive price in the near future and be your friends as well.

Metric **DIN 798 square nut**, a square nut is typically used where a large surface is needed to contact a part being fastened. Whilst it helps in reducing loosening, the increased friction between surfaces means that whilst there is an increased resistance to tightening, being able to grip two opposing sides of the nuts means that they tighten easily. They are often used in tight spaces or in blind spots. There is a reduced risk of rounding the nut, so softer materials can be used. Square nuts are ordinarily mated with square-headed fasteners. Contrasted with hex nuts, square nuts have a more noteworthy surface in touch with the part being affixed, and hence give more prominent protection from extricating. Square nuts are utilized alongside level washers to stay away from harm from their sharp edges and assists with expanding the strength of the latch Square nuts can be utilized in a channel or welded to other steel items.

Product Specification of DIN 798 Square Nut

Material : Carbon steel, Stainless steel, Alloy Steel, Brass.

Finishment: Black, Zinc Plated, Zinc Yellow, HDG, Phosphate, DACROMET, Geomet, Magin, Ruspert, Teflon, etc.

DIN 798 - 2009 Special Foundation Nuts


Screw Thread		M24	M30	M36	M42	M48	M56	M64	M72	M80	M90	M100
D												
P	Pitch	3	3.5	4	4.5	5	5.5	6	6	6	6	6
k	Nominal Size	30	38	45	53	60	70	80	90	100	112	125
	max	31.25	39.25	46.25	54.5	61.5	71.5	81.5	91.75	101.75	113.75	127
	min	28.75	36.75	43.75	51.5	58.5	68.5	78.5	88.25	98.25	110.25	123
s	Nominal Size	50	60	70	80	90	100	110	120	130	145	165
	max	52	62	72	83	93	103	113	123	133	148	168
	min	48	58	68	77	87	97	107	117	127	142	162
per 1000 units≈kg		495	980	1550	2350	3320	4250	5600	7400	9500	13800	19400